

# NEW MEGA WHEELS PTS

Double wall polyethylene tool trolley



## General features

- HDPE roto-molded case with built-in rubber feet
- 2 metal lid safety support stays
- 2 TSA accepted locks
- telescopic handle and large wheels provided with ball bearings
- ergonomic handle, rubber coated grip
- single steel hinge, riveted in several points to assure high resistance
- large base area for tools, powertools, accessories and spare parts
- stackability
- document wallet
- 2 small component boxes

## Features

- 2 tool pallets with FLEXI POUCHES&trade;

## Versions

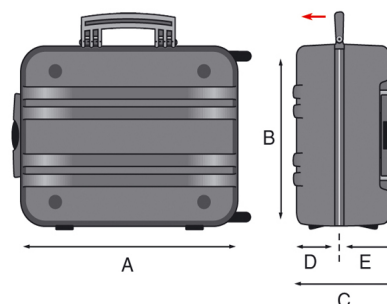
- NEW MEGA WHEELS PEL
- NEW MEGA WHEELS PSS
- NEW MEGA WHEELS PTS

## EAN

8024482009124



Technical features	A	B	C	D	E
mm internal dimensions	453	345	185	75	110
Weight Kg 8,00					
inc internal dimensions	17 13/16	13 9/16	7 5/16	2 15/16	4 5/16
Weight lbs 17.63					



## NEW MEGA WHEELS PTS

Double wall polyethylene tool trolley



Tool trolley made entirely of HDPE polyethylene, a real shield against accidental shocks. High capacity case ideal for air travelling engineers that carry both tools, spare parts and components.

The TSA Locks allow the case to be checked at the airport by security officers, without destroying the locks.

# Spares

NEW MEGA WHEELS PTS



KIN.0346



KIN.0990



KIN.0248



KIN.0782



KIN.0335



KIN.0314



KIN.0365



KIN.0648



KIN.0407



KIN.0056



KIN.0233



KIN.0243



KIN.0900



KIN.0512



KIN.0148