

NEW MEGA WHEELS PEL

Double wall polyethylene tool trolley



General features

- HDPE roto-molded case with built-in rubber feet
- 2 metal lid safety support stays
- 2 TSA accepted locks
- telescopic handle and large wheels provided with ball bearings
- ergonomic handle, rubber coated grip
- single steel hinge, riveted in several points to assure high resistance
- large base area for tools, power tools, accessories and spare parts
- stackability
- document wallet
- 2 small component boxes

Features

- 2 tool pallets with elastics

Versions

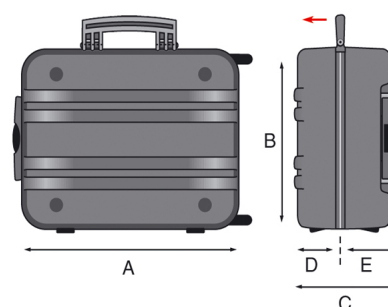
- NEW MEGA WHEELS PEL
- NEW MEGA WHEELS PSS
- NEW MEGA WHEELS PTS

EAN

8024482009117



Technical features	A	B	C	D	E
mm internal dimensions	453	345	185	75	110
Weight Kg 7,50					
inc internal dimensions	17 13/16	13 9/16	7 5/16	2 15/16	4 5/16
Weight lbs 16.53					



NEW MEGA WHEELS PEL

Double wall polyethylene tool trolley



Tool trolley made entirely of HDPE polyethylene, a real shield against accidental shocks. High capacity case ideal for air travelling engineers that carry both tools, spare parts and components.

The TSA Locks allow the case to be checked at the airport by security officers, without destroying the locks.

Accessories

NEW MEGA WHEELS PEL



LOCK BELT



WL01



WL02



WL03



WL04



WL05