

ATOMIK TWIN PTS

High thickness polypropylene tool case



General features

- 2 metal lid safety support stays
- 2 metal locks with keys
- 3 metal hinges for maximum strength
- bottom area with adjustable/removable dividers
- ergonomic handle, rubber coated grip
- address label
- document area
- can accommodate up to 3 tool pallets

Features

- 1 tool pallet with FLEXI POUCHES[®] and elastic bands on 2 sides
- 1 tool pallet with PSS[®] system & elastics on one side, only elastic bands on other side
- 1 vertical tool pallet with pouches and elastic bands on both sides
- 1 tool pallet with FLEXI POUCHES[®] and elastic bands on 1 side
- 2+2 metal lid support stays for the vertical section
- 2+2 metal locks with keys
- 3+3 metal hinges for maximum strength
- Bottom area with removable dividers (on one side)
- Upper and lower compartments can be opened separately or together

Versions

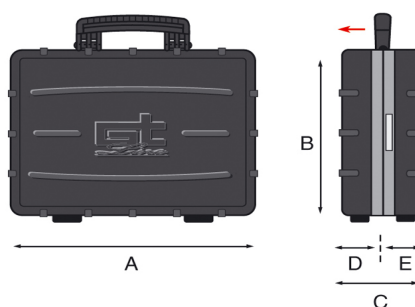
- ATOMIK /R PEL
- ATOMIK /R WH PEL
- ATOMIK 215 PEL
- ATOMIK 215 PSS
- ATOMIK 215 PTS
- ATOMIK TWIN PTS
- ATOMIK WH PEL
- ATOMIK WH PSS
- ATOMIK WH PTS

EAN

8024482172743



Technical features	A	B	C	D	E
mm internal dimensions	465	352	232	116	116
	Weight Kg 8,10				
inc internal dimensions	18 5/16	13 7/8	9 1/8	4 9/16	4 9/16
	Weight lbs 17.85				



ATOMIK TWIN PTS

High thickness polypropylene tool case



Technologically advanced, injection moulded, high thickness Polypropylene tool case. This material makes the case extremely resistant against chemical corrosion, shock, high and low temperature. The injection technique ensures constant material thickness, even in the corners.



KIN.0629



KIN.0782



KIN.0870



KIN.0494



KIN.0902



KIN.0619



KIN.0622



KIN.0056