

ATOMIK 215 PSS

High thickness polypropylene tool case



General features

- 2 metal lid safety support stays
- 2 metal locks with keys
- 3 metal hinges for maximum strength
- bottom area with adjustable/removable dividers
- ergonomic handle, rubber coated grip
- address label
- document area
- can accommodate up to 3 tool pallets

Features

- 1 lid tool pallet with PSS™ system on two sides
- 1 bottom tool pallet with PSS™ system on one side

Versions

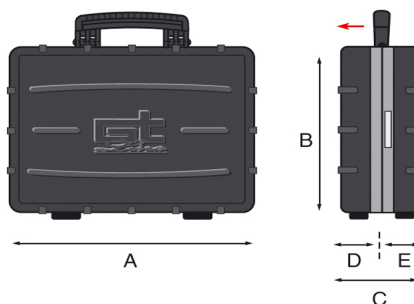
- ATOMIK /R PEL
- ATOMIK /R WH PEL
- ATOMIK 215 PEL
- ATOMIK 215 PSS
- ATOMIK 215 PTS
- ATOMIK TWIN PTS
- ATOMIK WH PEL
- ATOMIK WH PSS
- ATOMIK WH PTS

EAN

8024482015675



Technical features	A	B	C	D	E
mm internal dimensions	465	352	215	95	120
	Weight Kg 5,80				
inc internal dimensions	18 5/16	13 7/8	8 7/16	3 3/4	4 3/4
	Weight lbs 12.78				



ATOMIK 215 PSS

High thickness polypropylene tool case



Technologically advanced, injection moulded, high thickness Polypropylene tool case. This material makes the case extremely resistant against chemical corrosion, shock, high and low temperature. The injection technique ensures constant material thickness, even in the corners.

Spares

ATOMIK 215 PSS



KIN.0629



KIN.0782



KIN.0459



KIN.0494



KIN.0621



KIN.0610



KIN.0056



KIN.0512